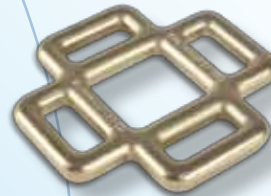




# VELTKAMP

C A R G O   S E C U R I N G   S U P P L I E S



CARGO

SUPPORTIVE

SUPPLIES



# WOVEN POLYESTER WEBBING

## LOAD RESTRAINTS

Art. N°	Width (inch / mm)	LC System (daN)	BS Webbing (daN)	WLL (daN)	BS System (with Fitting)	Meters per Sack	Sacks per Pallet	Fitting type	Germänischer Lloyd Certificate N°
30201575	1.26 / 32	1,267	2,000	2,318	3800	250	16	B10/BF10/LB3530 /LF3030/LB3516P	7440-09-65302 -170
30201558	1.26 / 32	1,367	2,300	2,515	4,100	250	16	B10/BF10/LB3530 /LF3030/LB3516P	76020 HH 09
30201576	1.49 / 38	1,835	3,500	3,684	5,500	200	14	B12/BF12 LB4040/LF4040	83023 HH 10
30201577	1.49 / 38	2,500	5,000	5,013	7,500	200	14	B12/BF12 LB4040/LF4040	83022 HH 10
30201573	1.57 / 40	2,500	5,000	5,386	7,500	200	14	LB4040/LF4040	76025 HH 09
30201578	1.97 / 50	2,834	5,000	5,324	8,500	150	12	LB5050/LF5050	83024 HH 10
30201579	1.97 / 50	3,200	7,500	7,812	9,600	150	12	LB5050/LF5050	01746 HH 07

WLL = Working Load Limit = the average maximum static load (as tested by Germänischer Lloyd)

BS = Breaking Strength = Breaking Load = Rated Capacity = the maximum static load as permitted by the manufacturer

LC = Load capacity = Safe Working Load = maximum load as permitted for the user = app.0.33 of the Breaking Load





# WOVEN POLYESTER WEBBING

**32 MM / 1.26 INCH – 2,000 daN**

ARTICLE N°	30201575
WLL (Working Load Limit)	2,000 daN / 4,400 Lbs
CERTIFICATE	7440-09-65302-170A
BAG	250 METER
PALLET	16 BAGS
WEIGHT / BAG	APP. 9 KG / 20 POUNDS
WEIGHT / PALLET	APP. 144 KG / 317 POUNDS
FITTINGS	B10 / BF10 / LB3530 / LB3516P / LF 3030
TENSIONERS	H26 / OR1300.40 TENSION BAR





# WOVEN POLYESTER WEBBING

**32 MM / 1.26 INCH – 2,300 daN**

ARTICLE N°	30201558
WLL (Working Load Limit)	2,300 daN / 5,100 Lbs
CERTIFICATE	76020 HH 09
BAG	250 METER
PALLET	16 BAGS
WEIGHT / BAG	APP. 11 KG / 24 POUNDS
WEIGHT / PALLET	APP. 176 KG / 388 POUNDS
FITTINGS	B10 / BF10 / LB3530 / LB3516P / LF 3030
TENSIONERS	H26 / OR1300.40 TENSION BAR





# WOVEN POLYESTER WEBBING

**38 MM / 1.49 INCH – 3,500 daN**

ARTICLE N°	30201576
WLL (Working Load Limit)	3,500 daN / 7,700Lbs
CERTIFICATE	83023 HH 10
BAG	200 METER
PALLET	14 BAGS
WEIGHT / BAG	APP. 13 KG / 29 POUNDS
WEIGHT / PALLET	APP. 182 KG / 401 POUNDS
FITTINGS	B12 / BF12 / LB4040 / LB4050 / LF 4040
TENSIONERS	H26 / OR1300.40 / RB5050 / R5050HD TENSION BAR





# WOVEN POLYESTER WEBBING

**38 MM / 1.49 INCH –5,000 daN**

ARTICLE N°	30201577
WLL (Working Load Limit)	5,000 daN / 11,000Lbs
CERTIFICATE	83022 HH 10
BAG	200 METER
PALLET	14 BAGS
WEIGHT / BAG	APP.16 KG / 35 POUNDS
WEIGHT / PALLET	APP.224 KG / 494 POUNDS
FITTINGS	B12 / BF12 / LB4040 / LB4050 / LF 4040
TENSIONERS	H26 / OR1300.40 / RB5050 / R5050HD / TENSION BAR





# WOVEN POLYESTER WEBBING

**40 MM / 1.57 INCH –5,000 daN**

ARTICLE N°	30201573
WLL (Working Load Limit)	5,000 daN / 11,000Lbs
CERTIFICATE	76025 HH 09
BAG	200 METER
PALLET	14 BAGS
WEIGHT / BAG	APP. 17 KG / 37 POUNDS
WEIGHT / PALLET	APP.225 KG / 663 POUNDS
FITTINGS	B12 / BF12 / LB4040 / LB4050 / LF 4040
TENSIONERS	H26 / OR1300.40 / RB5050/ R5050HD / TENSION BAR





# WOVEN POLYESTER WEBBING

**50 MM / 1.97 INCH –5,000 daN**

ARTICLE N°	30201578
WLL (Working Load Limit)	5,000 daN / 11,000Lbs
CERTIFICATE	83024 HH 10
BAG	150 METER
PALLET	12 BAGS
WEIGHT / BAG	APP. 16 KG / 35 POUNDS
WEIGHT / PALLET	APP.192 KG / 423 POUNDS
FITTINGS	LB5020 / LB5050 / LF 5050
TENSIONERS	RB5050 / R5050HD / OR1300.50 TENSION BAR





# WOVEN POLYESTER WEBBING

**50 MM / 1.97 INCH –7,500 daN**

ARTICLE N°	30201579
WLL (Working Load Limit)	7,500 daN / 16,500Lbs
CERTIFICATE	01746 HH 07
BAG	150 METER
PALLET	12 BAGS
WEIGHT / BAG	APP. 8 KG / 8 POUNDS
WEIGHT / PALLET	APP. 128 KG / 288 POUNDS
FITTINGS	LB5050 / LF 5050
TENSIONERS	RB5050 / R5050HD / OR1300.50 TENSION BAR





# WIRE BUCKLE B10

**32 MM / 1.26 INCH – Ø 7MM HARD GALVANIZED WIRE**

ARTICLE N°	1305814B
WLL (Working Load Limit)	900 daN (system)
BOX	250 PCS
PALLET	48 BOXES
WEIGHT / BOX	APP. 22 KG / 48 POUNDS
WEIGHT / PALLET	APP. 1,050 KG/ 2,314 POUNDS
USABLE FOR WEBBING	32 MM / 1.26 INCH
TENSIONER	H26 / ORS1300.40 / TENSION BAR





## WIRE BUCKLE BF10

**32 MM / 1.26 INCH – Ø 7MM SHERARDIZED WIRE**

ARTICLE N°	1305881S
WLL (Working Load Limit)	1,300 daN (system)
BOX	250 PCS
PALLET	48 BOXES
WEIGHT / BOX	APP. 22 KG / 48 POUNDS
WEIGHT / PALLET	APP. 1,050 KG / 2,314 POUNDS
USABLE FOR WEBBING	32 MM / 1.26 INCH
TENSIONER	H26 / ORS1300.40 / TENSION BAR





## WIRE BUCKLE B12

**38 MM / 1.50 INCH – Ø 7MM HARD GALVANIZED WIRE**

ARTICLE N°	13059160
WLL (Working Load Limit)	950 daN (system)
BOX	200 PCS
PALLET	48 BOXES
WEIGHT / BOX	APP. 18 KG / 40 POUNDS
WEIGHT / PALLET	APP. 860 KG / 1,892 POUNDS
USABLE FOR WEBBING	38 MM / 1.50 INCH
TENSIONER	H26 / ORS1300.40 / RB5050 / R5050HD / TENSION BAR





## WIRE BUCKLE BF12

**38 MM / 1.50 INCH – Ø 7MM SHERARDIZED WIRE**

ARTICLE N°	1305916S
WLL (Working Load Limit)	1,200 daN (system)
BOX	200 PCS
PALLET	48 BOXES
WEIGHT / BOX	APP. 22 KG / 40 POUNDS
WEIGHT / PALLET	APP. 860 KG / 1,892 POUNDS
USABLE FOR WEBBING	38 MM / 1.50 INCH
TENSIONER	H26 / ORS1300.40 / RB5050 / R5050HD / TENSION BAR

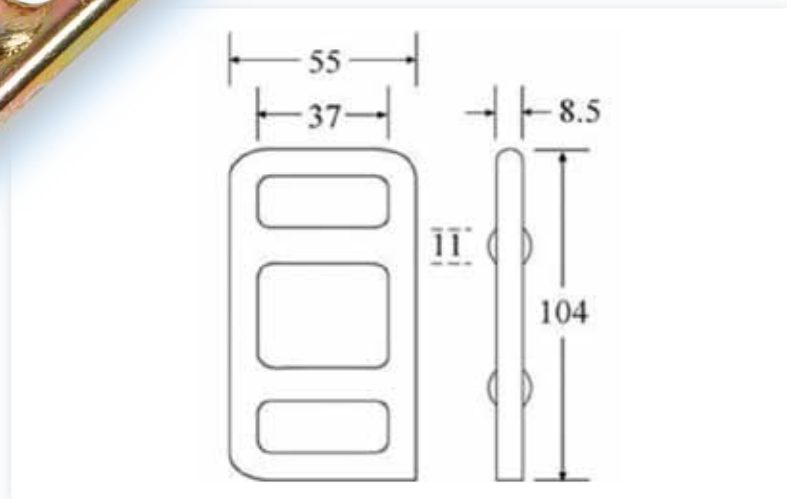
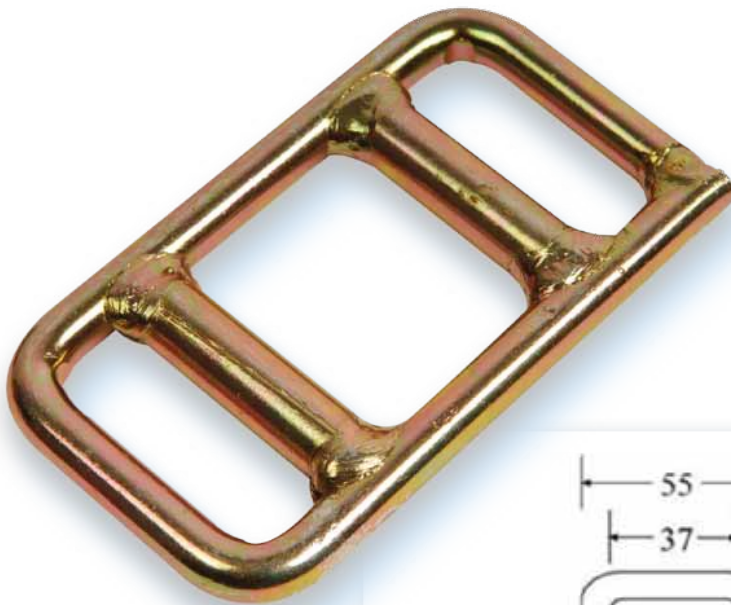




# WELDED LASHING BUCKLE LB3530

**35 MM / 1.38 INCH**

ARTICLE N°	30201849
TENSILE STRENGTH	3,000 daN / 6,614 POUNDS
SACK	50 PCS
PALLET - CRATE	60 SACKS / 3,000 PCS
WEIGHT / SACK	APP. 9 KG / 20 POUNDS
WEIGHT / PALLET	APP. 550 KG / 1,208 POUNDS
WIDTH WEBBING	35 MM / 1.38 INCH
TENSIONER	H26 / OR1300.40 / TENSION BAR



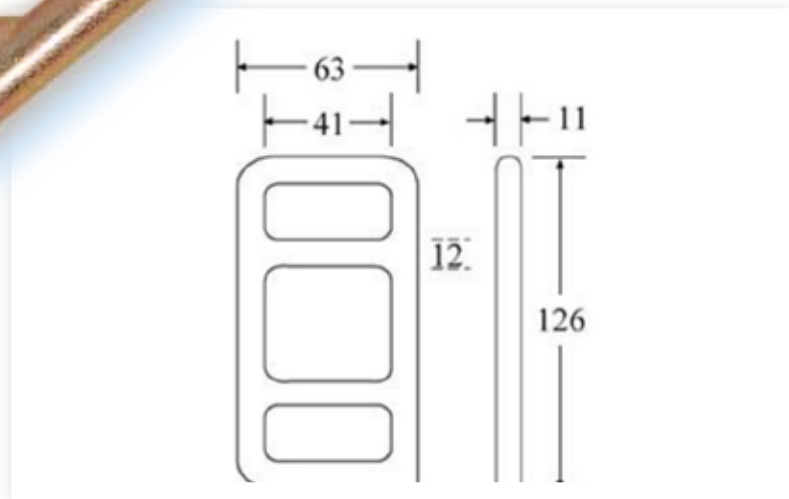
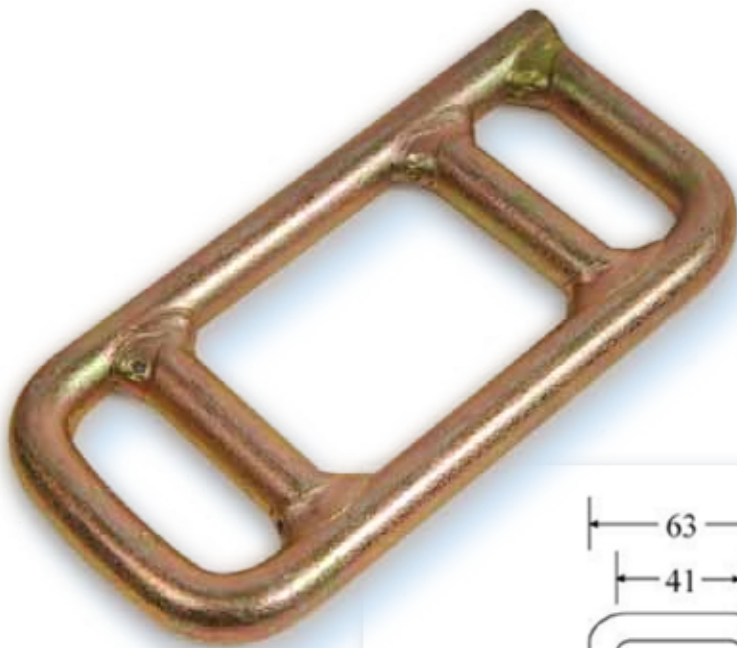
measurements in millimeters



# WELDED LASHING BUCKLE LB4040

40 MM / 1.57 INCH

ARTICLE N°	30201515
TENSILE STRENGTH	4,000 daN / 8,818 POUNDS
SACK	25 PCS
PALLET - CRATE	100 SACKS / 2.500 PCS
WEIGHT / SACK	APP. 8 KG / 18 POUNDS
WEIGHT / PALLET	APP. 640 KG / 1,408 POUNDS
WIDTH WEBBING	40 MM / 1.57 INCH
TENSIONER	H26 / OR1300.40 / TENSION BAR



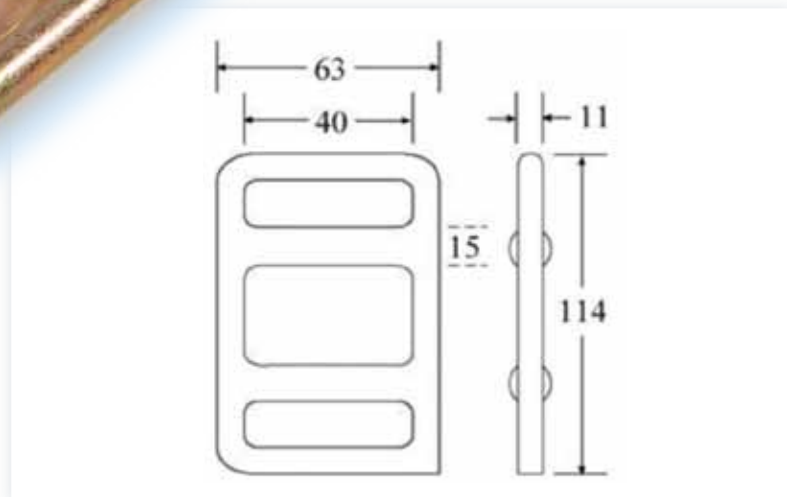
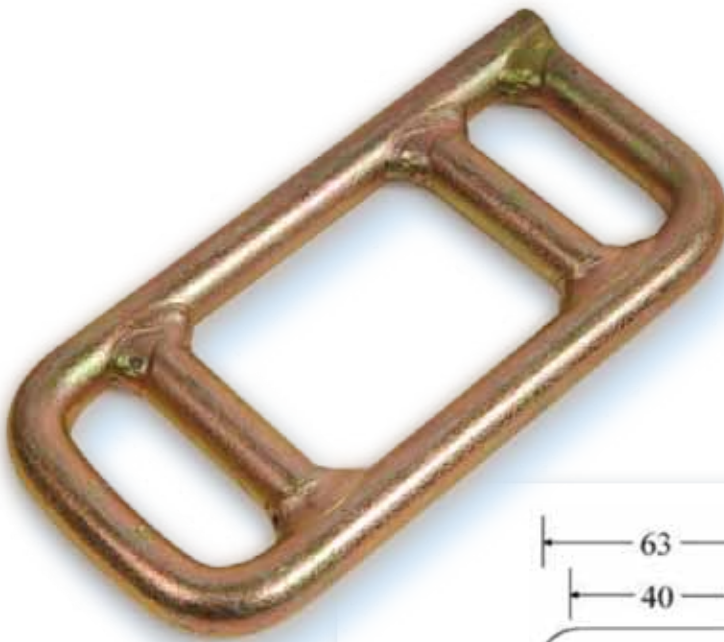
measurements in millimeters



# WELDED LASHING BUCKLE LB4050

40 MM / 1.57 INCH

ARTICLE N°	30201551
TENSILE STRENGTH	5,000 daN / 11,023 POUNDS
SACK	25 PCS
PALLET - CRATE	100 SACKS / 2,500 PCS
WEIGHT / SACK	APP. 9 KG / 20 POUNDS
WEIGHT / PALLET	APP. 900 KG / 1,980 POUNDS
WIDTH WEBBING	40 MM / 1.57 INCH
TENSIONER	H26 / OR1300.40 / RB5050 / R5050HD / TENSION BAR



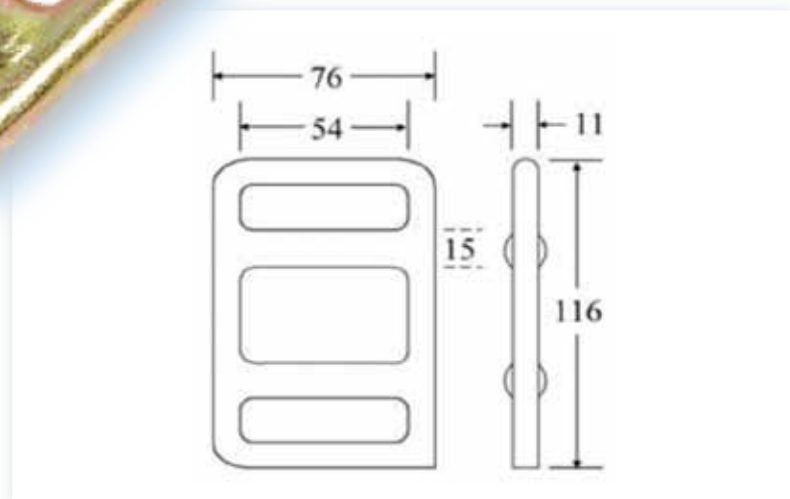
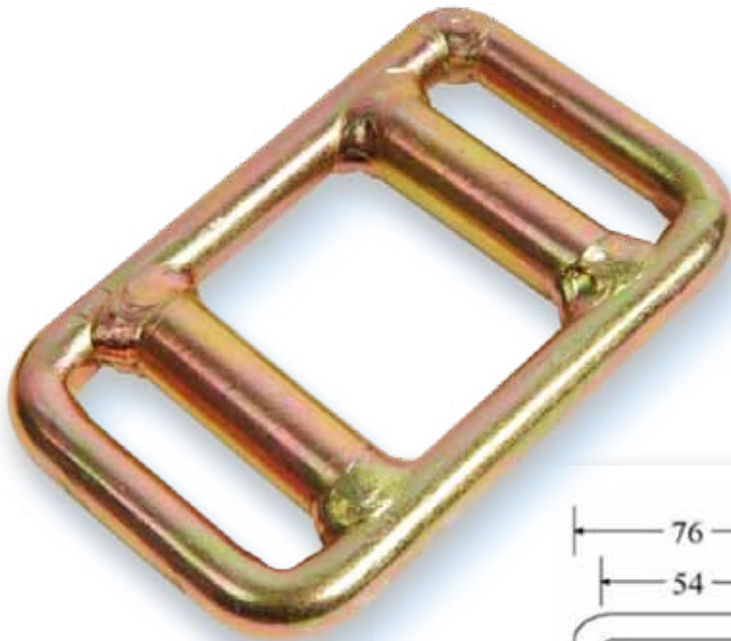
measurements in millimeters



# WELDED LASHING BUCKLE LB5050

**50 MM / 1.97 INCH**

ARTICLE N°	30201502
TENSILE STRENGTH	5,000 daN / 11,023 POUNDS
SACK	25 PCS
PALLET - CRATE	60 SACKS / 1,500 PCS
WEIGHT / SACK	APP. 10 KG / 22 POUNDS
WEIGHT / PALLET	APP. 620 KG / 1,360 POUNDS
WIDTH WEBBING	50 MM / 1.97 INCH
TENSIONER	OR1300.50 / RB5050 / R5050HD / TENSION BAR



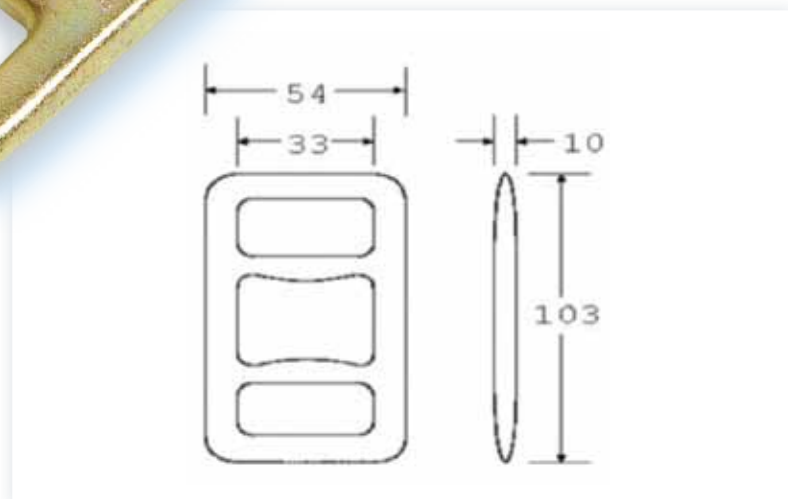
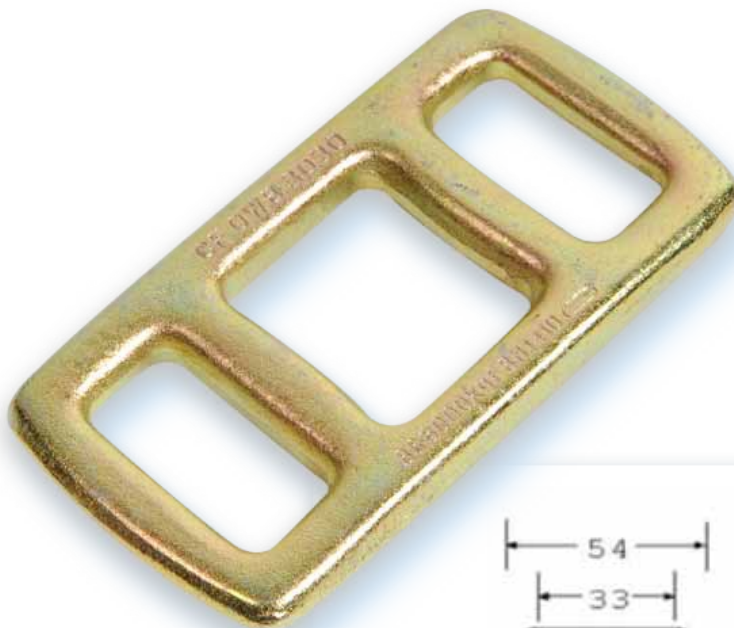
measurements in millimeters



# DROP FORGED LASHING BUCKLE LF3030

**30 MM / 1.18 INCH**

ARTICLE N°	30201547
TENSILE STRENGTH	3,000 daN / 6,614 POUNDS
BOX	70 PCS
PALLET - CRATE	48 BOX / 3,360 PCS
WEIGHT / BOX	APP. 17 KG / 37 POUNDS
WEIGHT / PALLET	APP. 815 KG / 1,795 POUNDS
WIDTH WEBBING	30 MM / 1.18 INCH
TENSIONER	H26 / OR1300,40 / TENSION BAR



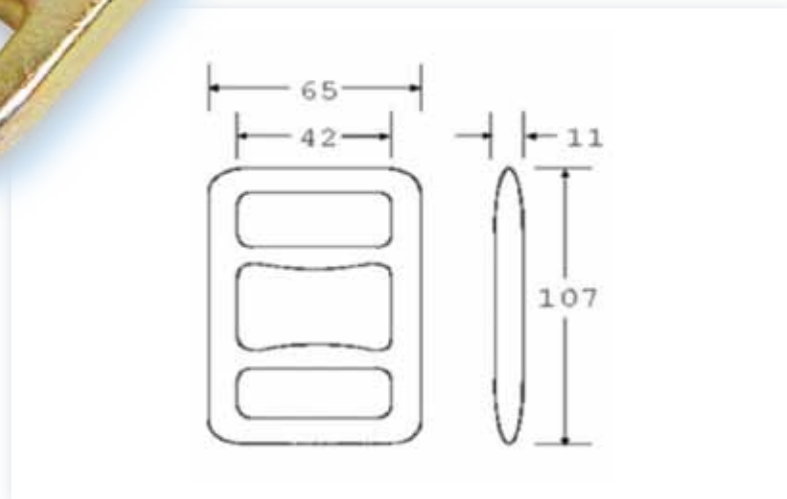
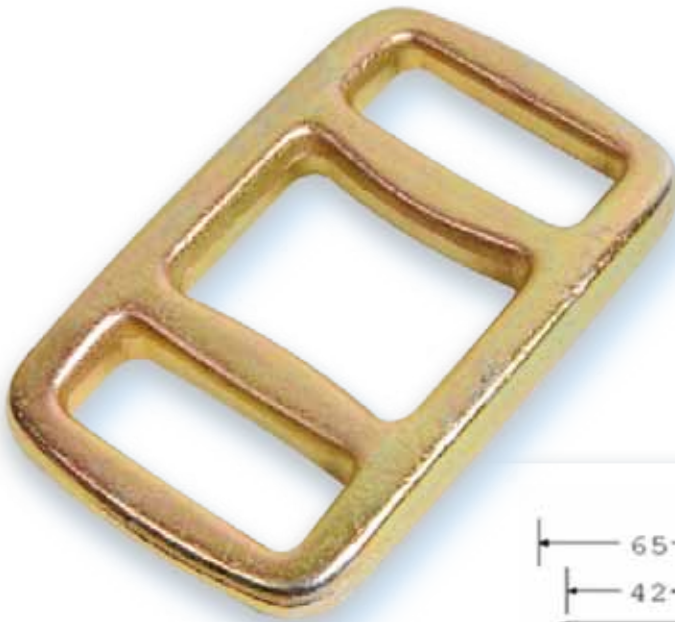
measurements in millimeters



# DROP FORGED LASHING BUCKLE LF4040

**40 MM / 1.57 INCH**

ARTICLE N°	30201546
TENSILE STRENGTH	4,000 daN / 8,818 POUNDS
BOX	50 PCS
PALLET - CRATE	36 BOX / 1,800 PCS
WEIGHT / BOX	APP. 14 KG / 30 POUNDS
WEIGHT / PALLET	APP. 700 KG / 1,540 POUNDS
WIDTH WEBBING	40 MM / 1.57 INCH
TENSIONER	H26 / OR1300,40 / RB5050 / R5050HD / TENSION BAR



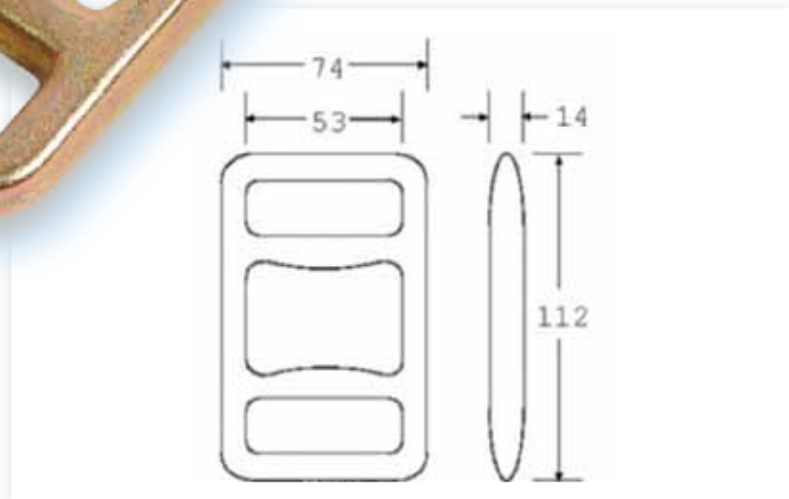
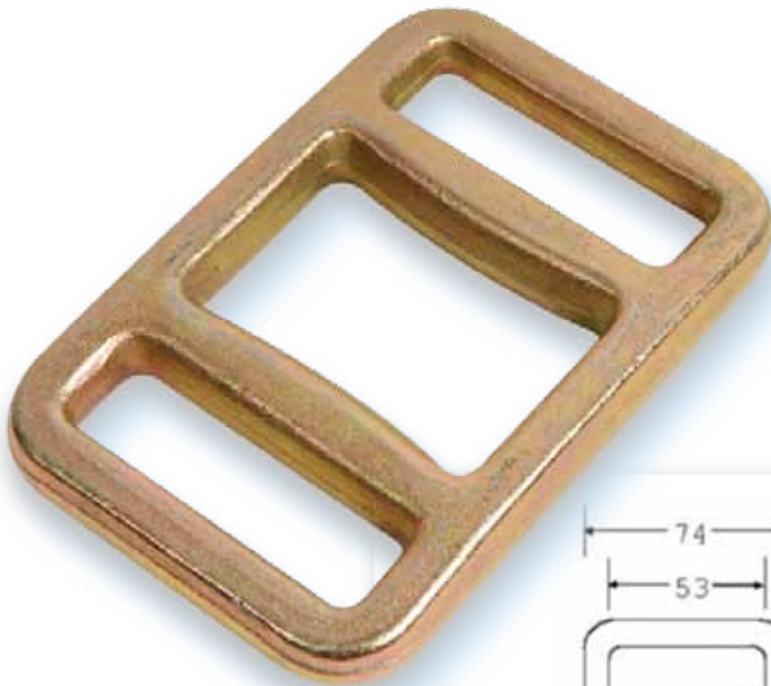
measurements in millimeters



# DROP FORGED LASHING BUCKLE LF5050

50 MM / 1.97 INCH

ARTICLE N°	30201548
TENSILE STRENGTH	5,000 daN / 11,023 POUNDS
BOX	40 PCS
PALLET - CRATE	36 BOX / 1,440 PCS
WEIGHT / BOX	APP. 18 KG / 40 POUNDS
WEIGHT / PALLET	APP. 648 KG / 1,425 POUNDS
WIDTH WEBBING	50 MM / 1.7 INCH
TENSIONER	OR1300,50 / RB5050 / R5050HD / TENSION BAR



measurements in millimeters



# DROP FORGED CROSS BUCKLE SB3040

## 35 MM / 1.38 INCH

ARTICLE N°	30201584
TENSILE STRENGTH	4,000 KG / 8,818 POUNDS
BOX	40 PCS
PALLET	50 BOXES
WEIGHT / SACK	APP. 17 KG / 39 POUNDS
WEIGHT / PALLET	APP. 612 KG / 1,350 POUNDS
WIDTH WEBBING	35 MM / 1,38 INCH
TENSIONER	H26 / OR1300.40 / TENSION BAR

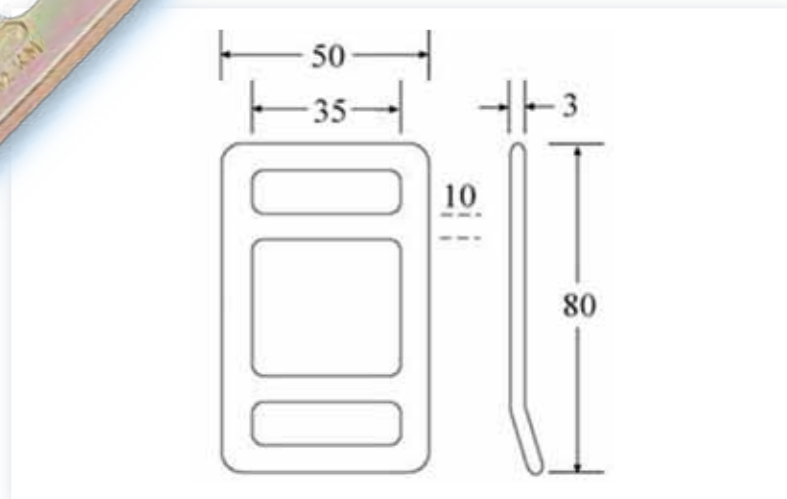
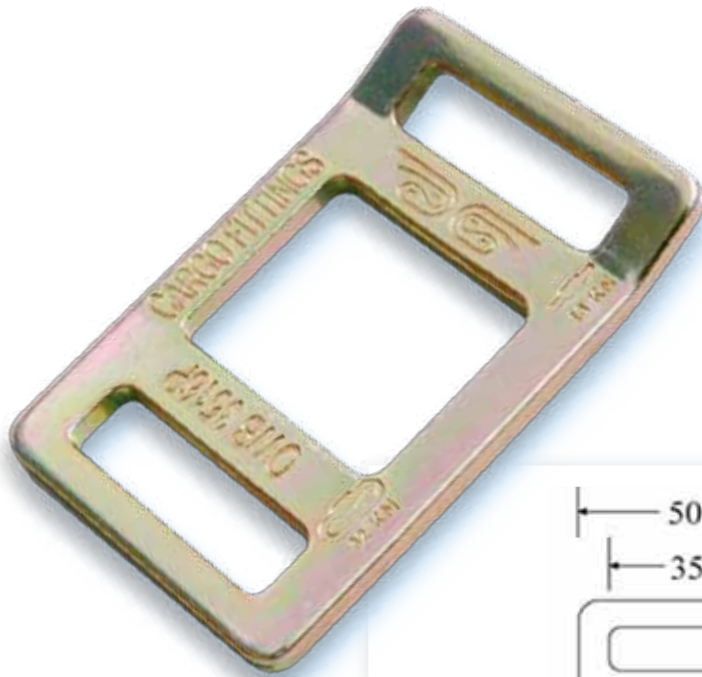




# LASHING PLATE LB3516P

**35 MM / 1.38 INCH**

ARTICLE N°	30201552
TENSILE STRENGTH	1,600 daN / 3,520 POUNDS
BOX	220 PCS
PALLET	48 BOX / 10,560 PCS
WEIGHT / SACK	APP. 18 KG / 39 POUNDS
WEIGHT / PALLET	APP. 864 KG / 1,900 POUNDS
WIDTH WEBBING	35 MM / 1.38 INCH
TENSIONER	H26 / OR1300.40 / TENSION BAR



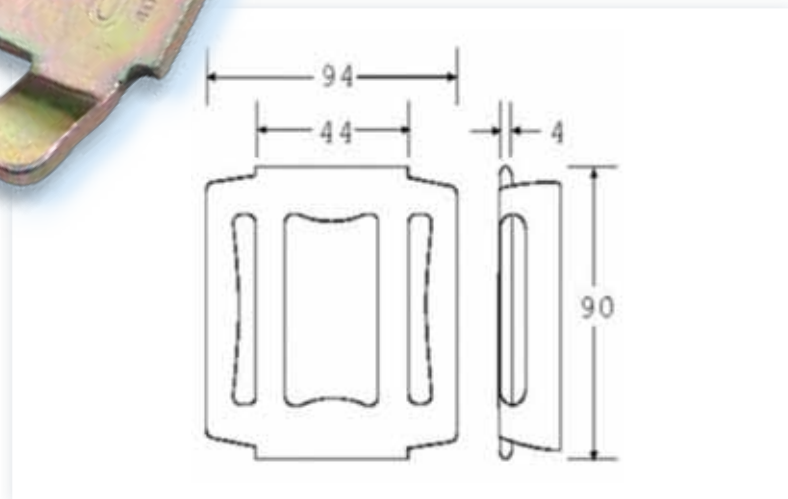
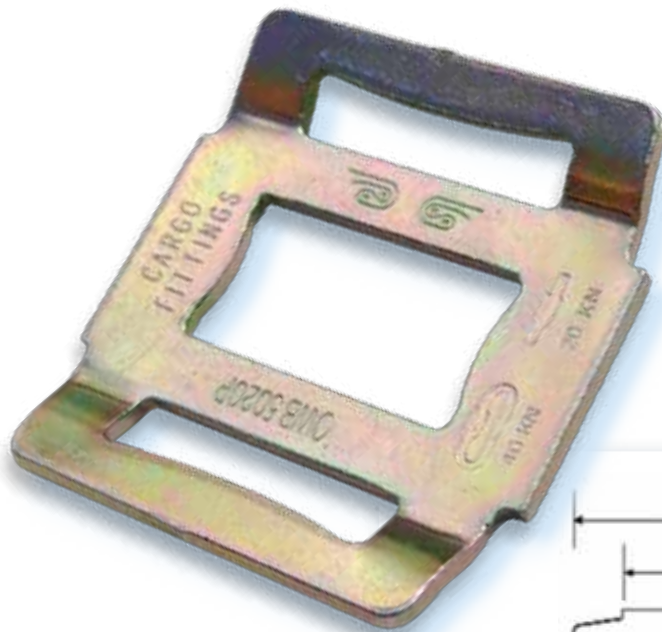
measurements in millimeters



# LASHING PLATE LB5020P

50 MM / 1.97 INCH

ARTICLE N°	30201554
TENSILE STRENGTH	2,000 daN / 4,400 POUNDS
BOX	125 PCS
PALLET	50 BOX / 6,250 PCS
WEIGHT / SACK	APP. 22 KG / 48 POUNDS
WEIGHT / PALLET	APP. 1,100 KG / 2,420 POUNDS
WIDTH WEBBING	50 MM / 1.97 INCH
TENSIONER	H26 / OR1300.50 / TENSION BAR



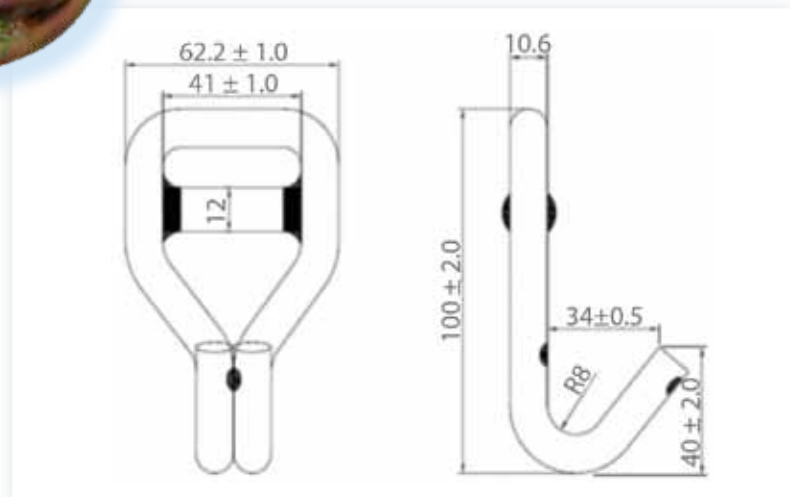
measurements in millimeters



# LASHING HOOK – LH3530S (SHORT)

35 MM / 1.38 INCH

ARTICLE N°	30201516
TENSILE STRENGTH	3,000 daN / 6,614 POUNDS
SACK	45 PCS
PALLET	50 SACKS
WEIGHT / SACK	APP. 12 KG / 28 POUNDS
WEIGHT / PALLET	APP. 625KG / 1,375 POUNDS
WIDTH WEBBING	40 MM / 1.57 INCH
TENSIONER	H26 / OR1300.40 / TENSION BAR



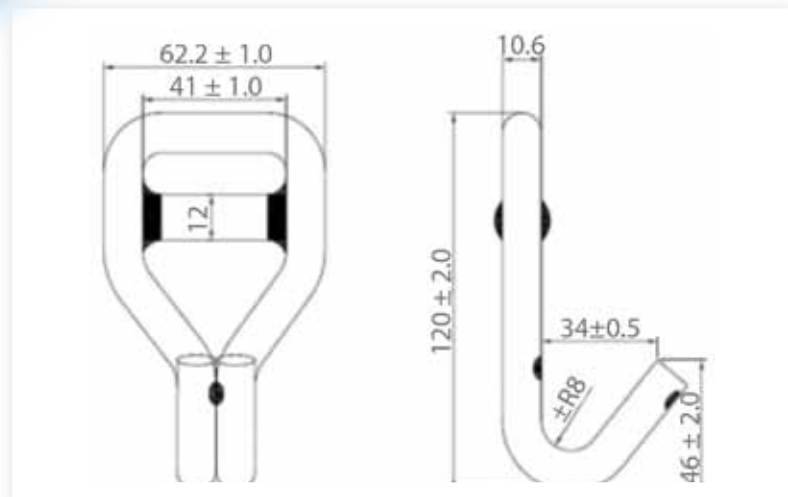
measurements in millimeters



# LASHING HOOK – LH3530L (LONG)

35 MM / 1.38 INCH

ARTICLE N°	30201549
TENSILE STRENGTH	3,000 daN / 6,614 POUNDS
SACK	45 PCS
PALLET	50 SACKS
WEIGHT / SACK	APP. 13 KG / 29 POUNDS
WEIGHT / PALLET	APP. 675 KG / 1,485 POUNDS
WIDTH WEBBING	40 MM / 1.57 INCH
TENSIONER	H26 / OR1300.40 / TENSION BAR



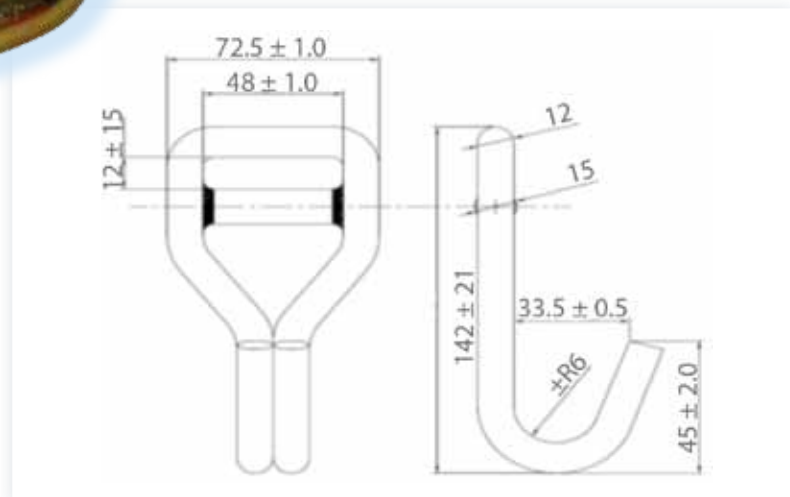
measurements in millimeters



# LASHING HOOK – LH4050

40 MM / 1.57 INCH

ARTICLE N°	30201550
TENSILE STRENGTH	5.000KG / 11,023 POUNDS
SACK	25 PCS
PALLET	50 SACKS
WEIGHT / SACK	APP. 13 KG / 29 POUNDS
WEIGHT / PALLET	APP. 625 KG / 1,485 POUNDS
WIDTH WEBBING	40 MM / 1.57 INCH
TENSIONER	H26 / OR1300.40 / OR1300.50 / TENSION BAR



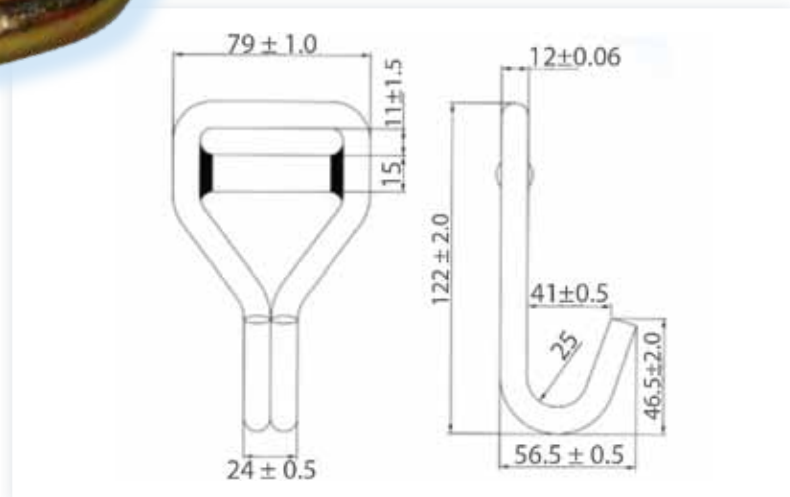
measurements in millimeters



# LASHING HOOK – LH5050

50 MM / 1.97 INCH

ARTICLE N°	30201517
TENSILE STRENGTH	5,000 daN / 11,023 POUND
SACK	25 PCS
PALLET	48 SACKS
WEIGHT / SACK	APP. 13 KG / 29 POUNDS
WEIGHT / PALLET	APP. 613 KG / 1,350 POUNDS
WIDTH WEBBING	50 MM / 1.97 INCH
TENSIONER	H26 / OR1300.50 / TENSION BAR



measurements in millimeters



# TENSIONER H26

## 40 MM / 1.57 INCH

ARTICLE N°	30201542
QUANTITY PER BOX	6 PCS
WEIGHT / PCS.	APP. 3 KG / 7 POUNDS
WEIGHT / BOX	APP. 18 KG / 39 POUNDS
WIDTH WEBBING	40 MM / 1.57 INCH





# TENSIONER OR1300.40

**40 MM / 1.57 INCH**

ARTICLE N°	30201524
QUANTITY PER BOX	1 PCS
WEIGHT / PCS.	APP. 3 KG / 7 POUNDS
WEIGHT / BOX	APP. 18 KG / 39 POUNDS
WIDTH WEBBING	40 MM / 1.57 INCH





# TENSIONER OR1300.50

**50 MM / 1.97 INCH**

ARTICLE N°	30201543
QUANTITY PER BOX	1 PCS
WEIGHT / PCS.	APP. 3 KG / 7 POUNDS
WEIGHT / BOX	APP. 18 KG / 39 POUNDS
WIDTH WEBBING	50 MM / 1.97 INCH





# RATCHET TENSIONER RB5050

**50 MM / 1.97 INCH**

ARTICLE N°	30201566
QUANTITY PER BOX	200 PCS
WEIGHT / PCS.	APP. 1,4 KG / 3 POUNDS
WEIGHT / BOX	APP. 28 KG / 62 POUNDS
WIDTH WEBBING	50 MM / 1.97 INCH





# RATCHET TENSIONER HEAVY DUTY R5050HD

## 50 MM / 1.97 INCH

ARTICLE N°	30201564
QUANTITY PER BOX	1 PCS
WEIGHT / PCS.	APP.6 KG / 13 POUNDS
WIDTH WEBBING	50 MM / 1.97 INCH





# TENSION BAR

## 75 MM / 2.95 INCH

ARTICLE N°	13201527
QUANTITY PER BOX	1 PCS
WEIGHT / PCS.	APP. 2 KG / 4 POUNDS
WIDTH WEBBING	75 MM / 2.95 INCH





## **CORNER PROTECTOR WITH CAVITY FOR EDGE PROTECTION CP70 70 MM / 2.76 INCH**

ARTICLE N°	6.045700
QUANTITY PER BOX	54 PCS
QUANTITY PER PALLET	25 BOXES
WIDTH LASHING	70 MM / 2.76 INCH
WIDTH CORNER PROTECTOR	150 MM / 5.91 INCH
WEIGHT / PCS.	APP. 0.23 KG / 0.51 POUNDS
WIDTH WEBBING	40 MM / 1.57 INCH
LENGTH FLAPS	180/130 MM = 7.09 / 5.12 INCH





# CORNER PROTECTOR WITH T-GAP CP100

**100 MM / 3.94 INCH**

ARTICLE N°	30201557
QUANTITY PER BOX	200 PCS
QUANTITY PER PALLET	5,000 PCS
WIDTH LASHING	100 MM / 2.2 INCH
WIDTH CORNER PROTECTOR	120 MM / 0,27 INCH
WEIGHT / PCS APP.	APP. 0.08 KG / 0.018 POUNDS
LENGTH FLAPS	90/90 MM = 3.54/3.54 INCH





# CORNER PROTECTOR WITH CAVITY FOR EDGE PROTECTION CP50

50 MM / 1.7 INCH

ARTICLE N°	6.045580
QUANTITY PER BOX	500 PCS
QUANTITY PER PALLET	18,000 PCS
WIDTH LASHING	50 MM / 1.70 INCH
WIDTH CORNER PROTECTOR	55 MM / 2.2 INCH
WEIGHT / PCS	APP. 0.004 KG / 0.009 POUNDS
LENGTH FLAPS	45 MM = 1.77 INCH





## RATCHET TIE DOWN LC2500

ARTICLE N°	30201512
TENSILE STRENGTH	5,000 daN / POUNDS
WIDTH	50 MM
LENGTH	9 METER
BOX	10 PCS.
WEIGHT / PCS	APP.2.5 KG / 6 POUNDS

